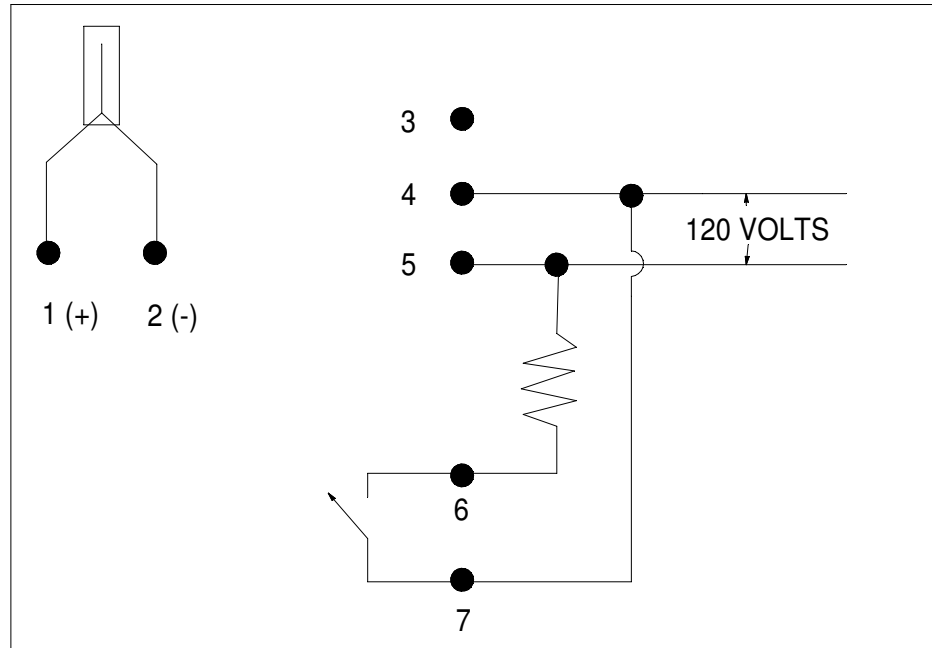


120 VOLTS



240 VOLTS

