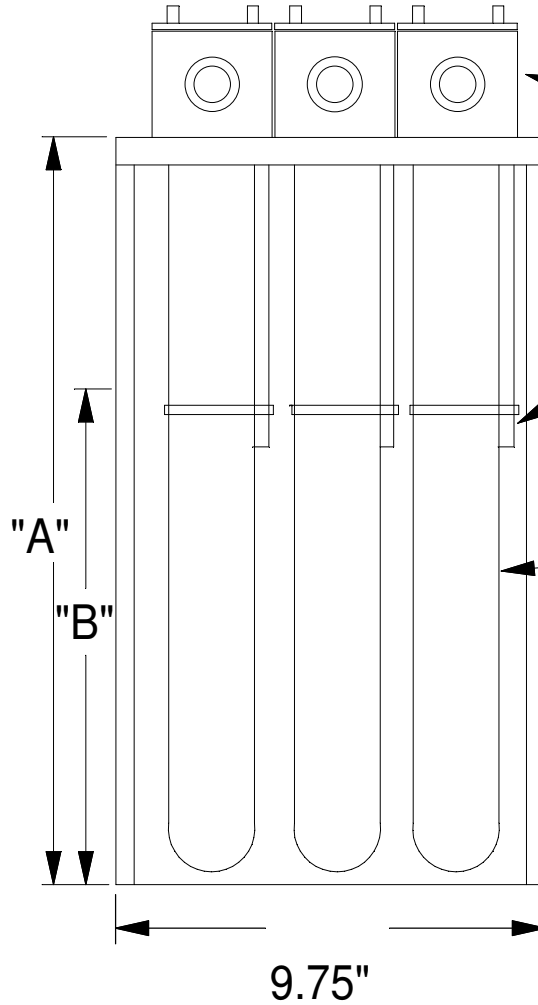
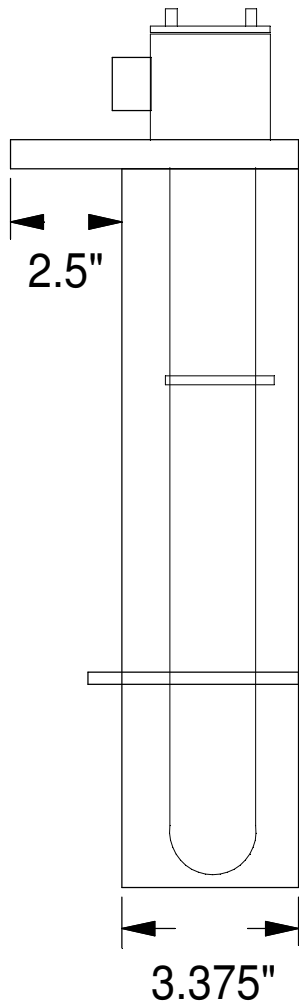


"A" = IMMERSION LENGTH

"B" = HEATED LENGTH

NOTE:
EACH HEATER COMES
WITH 3 PCS OF 1/2"
CONDUIT 3' LONG



MOLDED POLY-PRO
JUNCTION BOX

239F
OVER TEMP
SWITCH

1.625" DIA. QUARTZ TUBE

POLY-PRO
GUARD

3.375"

9.75"

DIMENSIONS ARE IN INCHES (MM)
TOLERANCES ARE AS FOLLOWS, UNLESS NOTED
1/XX₊ + 1/8" (3mm) 1/XX₊ + 1/16" (1mm)
.0X₊ + .01" (.25mm) .00X₊ + .005" (.1mm)
ANGLES ± 1°

NOTES:

REVISION DATE	REV. NUMBER	DESCRIPTION OF REVISION	REV'D BY	APP'D BY

Glo-Quartz[®] Incorporated
Industrial Electric Heaters & Controls since 1952
1550 South Euclid Avenue
Tucson, Arizona 85713

This document is the property of Glo-Quartz Incorporated
It is provided for customer use only, and is not to be
disclosed to other sources for any reason without express
written approval from Glo-Quartz. Possession does NOT
constitute approval.

TITLE: 3GN/3N SERIES HEATERS

CUSTOMER:		
DESIGN BY:	DESIGN DATE:	
DRAWN BY:	DRAWN DATE:	
CHECKED BY:	CHECK DATE:	
RELEASED FOR:	SCALE:	SHEET No.:
DRAWING NUMBER:	REV.:	