

Fig (3)
TO CUSTOMER'S
POWER SOURCE
W / DISCONNECT

OVER 240 VOLTS
SINGLE PHASE

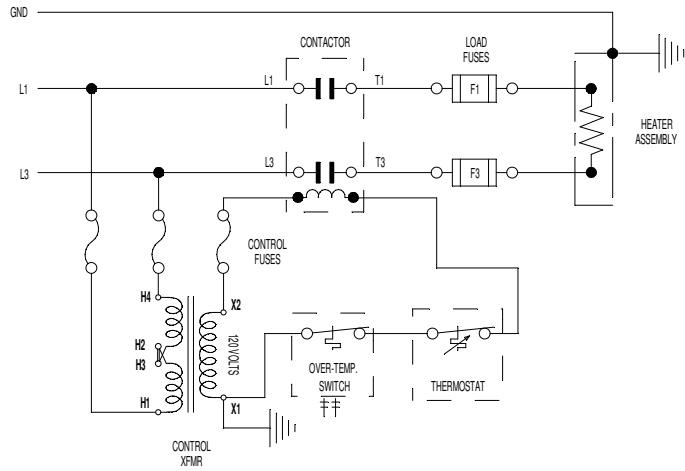
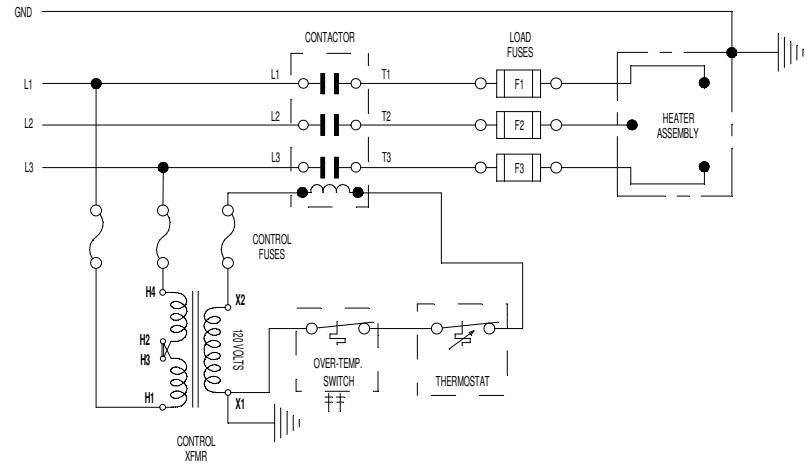


Fig (5)
TO CUSTOMER'S
POWER SOURCE
W / DISCONNECT

OVER 240 VOLTS
3 PHASE



DIMENSIONS ARE IN INCHES (MM)
TOLERANCES ARE AS FOLLOWS, UNLESS NOTED
1/XX_n + 1/8" (3mm) 1/XX_n + 1/16" (1mm)
.0X_n + .01" (.25mm) .00X_n + .005" (.1mm)
ANGLES ± 1°

NOTES:

| REVISION DATE | REV. NUMBER | DESCRIPTION OF REVISION | REV'D BY | APP'D BY |
|---------------|-------------|-------------------------|----------|----------|
| | | | | |
| | | | | |
| | | | | |
| | | | | |

Glo-Quartz[®] Incorporated
Industrial Electric Heaters & Controls since 1952
1550 South Euclid Avenue
Tucson, Arizona 85713

This document is the property of Glo-Quartz Incorporated
It is provided for customer use only, and is not to be
disclosed to other sources for any reason without express
written approval from Glo-Quartz. Possession does NOT
constitute approval.

| | | |
|-----------------|--------------|------------|
| TITLE: | | |
| CUSTOMER: | | |
| DESIGN BY: | DESIGN DATE: | |
| DRAWN BY: | DRAWN DATE: | |
| CHECKED BY: | CHECK DATE: | |
| RELEASED FOR: | SCALE: | SHEET No.: |
| DRAWING NUMBER: | REV.: | |